



# **Mähapparat**

# **Appareil faucheur**

# **Mowing attachment**

**MAP9 zu / pour / for:**

**Aebi CC110, CC36, CC56, CC66**

**Ersatzteilliste, Wartungsanleitung**

**Liste des pièces de rechange, manuel de maniement**

**Spare parts list, maintenance manual**

## Zur Information

## Pour l'information

## For information



Alle Schrauben und Muttern müssen mit dem der Festigkeit entsprechenden Drehmoment angezogen werden.

Sind spezielle Anziehdrehmomente nötig, sind diese in der Ersatzteilliste angegeben.



Toutes les vis et écrous doivent être serrés avec le couple correspondant à leur résistance. Lors de cas spéciaux, le couple de serrage est indiqué dans la liste des pièces de rechange.



All bolts and nuts are to be tightened with a torque wrench to the tension corresponding torques.

Special torques are if required shown in the relevant spare-parts list.

**kpl**

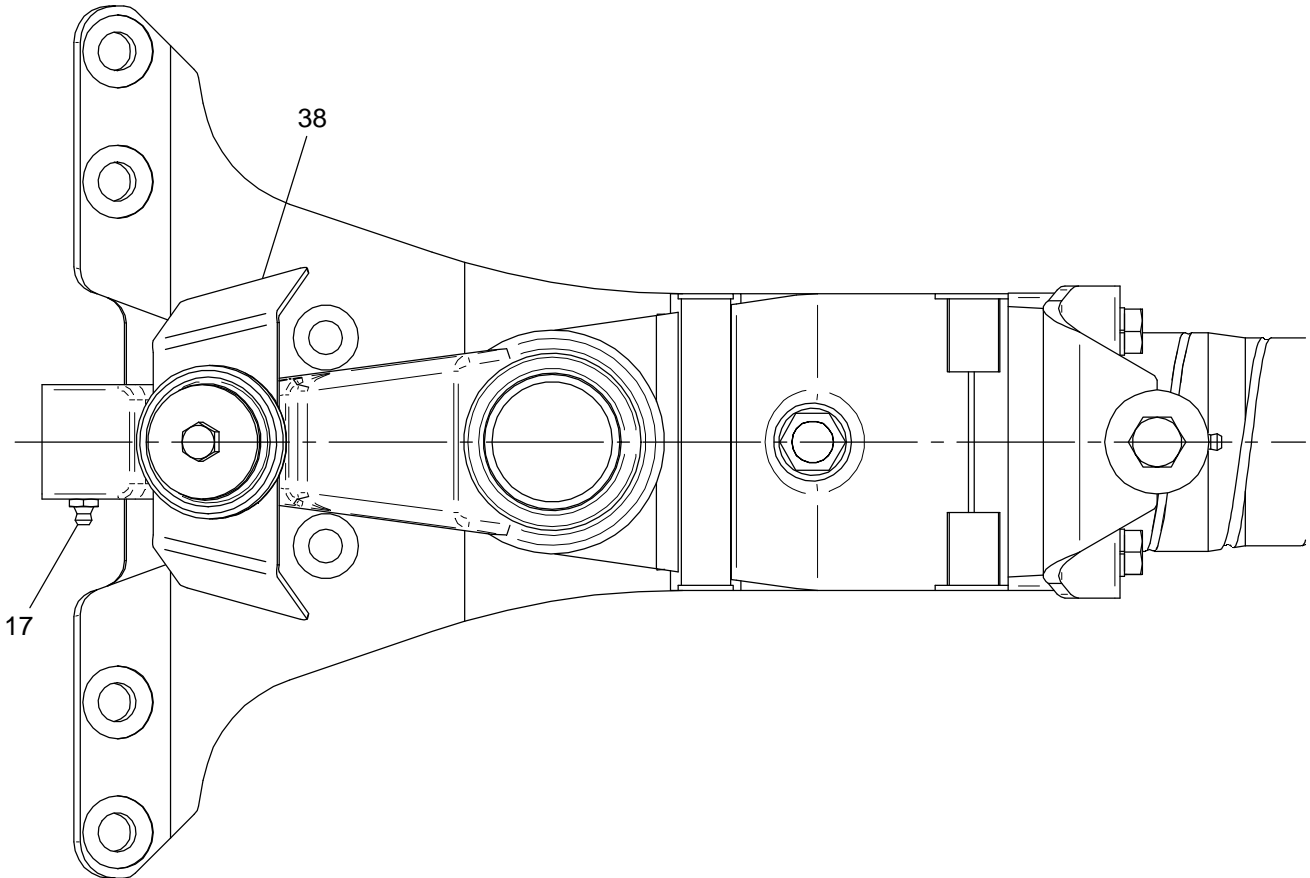
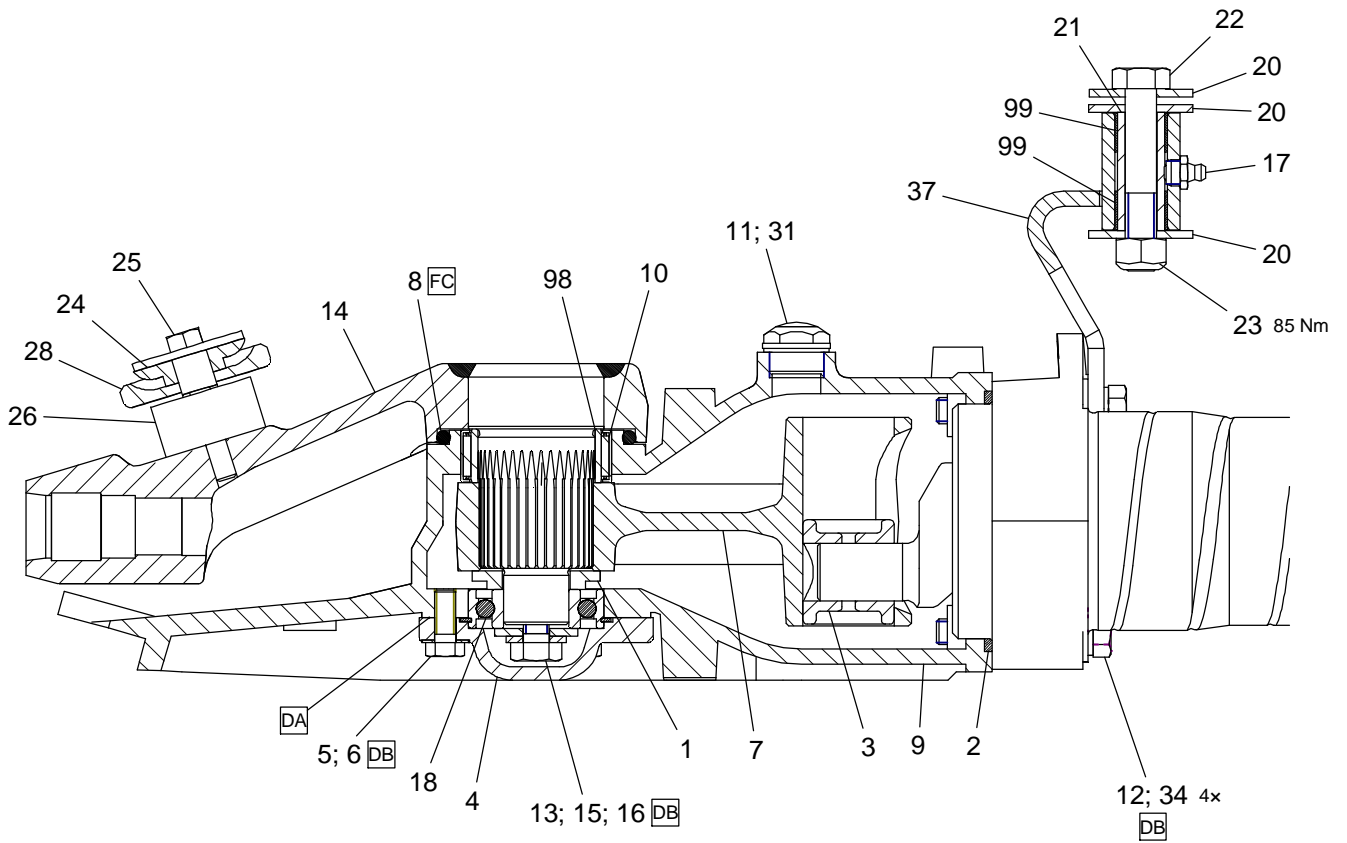
komplett

complet

complete

|    |          |                        |
|----|----------|------------------------|
| DA | 111.6441 | Loctite 5910           |
| DB | 104.3659 | Loctite 243            |
| FA | 104.1558 | Molykotefett BR2 sw    |
| FC | 104.1561 | Universalfett 1900 EP2 |
| LG | 104.3662 | Loctite 638            |

|  |                                |                             | Seite<br>Page |
|--|--------------------------------|-----------------------------|---------------|
| Mähapparat CC110, CC36 . . . . .         | Appareil faucheur . . . . .    | Mowing attachment . . . . . | 4             |
| Mähapparat CC36, CC56, CC66 . . . . .    | Appareil faucheur . . . . .    | Mowing attachment . . . . . | 6             |
| Schwinghebelzapfen . . . . .             | Goujon oscillant . . . . .     | Swaybar pin . . . . .       | 8             |
| Halmteiler . . . . .                     | Diviseur . . . . .             | Grass divider . . . . .     | 9             |
| Messerkopf . . . . .                     | Tête de lame . . . . .         | Sickle head . . . . .       | 9             |
| Kurbelantrieb CC110, CC36 . . . . .      | Transmission . . . . .         | Transmission . . . . .      | 10            |
| Kurbelantrieb CC36, CC56, CC66 . . . . . | Transmission . . . . .         | Transmission . . . . .      | 11            |
| Schwingblech CC110, CC36 . . . . .       | Tôle oscillante . . . . .      | Sway bar cover . . . . .    | 12            |
| Schwingblech CC36, CC56, CC66. . . . .   | Tôle oscillante . . . . .      | Sway bar cover . . . . .    | 13            |
| Zusatzgewicht . . . . .                  | Poids supplémentaire . . . . . | Ballast weight . . . . .    | 14            |
| Wartung . . . . .                        | Maniement . . . . .            | Maintenance . . . . .       | 15            |



| Pos | No.       | No. (old)  | Bezeichnung                             | Description         | Description       |
|-----|-----------|------------|---|---------------------|-------------------|
| 1   | 104.1665  | AM525301   | Distanzscheibe                          | Entretoise          | Spacer            |
| 2   | 103.5499  | 7361539301 | O-Ring 90x3,5 NBR70                     | Joint torique       | O-ring            |
| 3   | 112.5748  |            | Gleitstein                              | Coulisseau          | Slider            |
| 4   | 1262357-4 |            | Deckel                                  | Couvercle           | Cover             |
| 5   | 103.3093  | 60371362   | 6kt-Schraube M8x20 8.8 verz DIN933      | Vis hex.            | Hex.hd.screw      |
| 6   | 103.4366  | 67174731   | Spannscheibe 8 (8,4/18x2) DIN6796       | Rondelle élastique  | Spring washer     |
| 7   | 1178726-6 |            | Schwinghebel                            | Levier oscillant    | Oscillating lever |
| 8   | 103.5500  | 7361540701 | O-Ring 66x5,3 NBR70                     | Joint torique       | O-ring            |
| 9   | 101.1835  | FT4701401  | Schwinghebelgehäuse                     | Boîtier             | Housing           |
| 10  | 103.5101  | 72174000   | Nadelhülse 50x58x20 St N261.31          | Douille à aiguilles | Needle bush       |
| 11  | 104.1605  | 87775642   | Niveauanzeige 1/2 Zoll                  | Vis de niveau       | Level plug        |
| 12  | 103.2961  | 60171334   | 6kt-Schraube M10x60 8.8 verz DIN931     | Vis hex.            | Hex.hd.screw      |
| 13  | 103.4364  | 67174585   | Spannscheibe 10 (10,5/23x2,5) DIN6796   | Rondelle élastique  | Spring washer     |
| 14  | 101.0198  | FT4343201  | Schwinger kpl.                          | Oscillateur         | Sway bar          |
| 15  | 103.3106  | 60371375   | 6kt-Schraube M10x30 8.8 verz DIN933     | Vis hex.            | Hex.hd.screw      |
| 16  | 102.0994  | TP2396501  | Unterlagscheibe                         | Rondelle            | Washer            |
| 17  | 104.1531  | 87572388   | Schmiernippel M10x1 St verz DIN71412-A  | Graisseur           | Grease nipple     |
| 18  | 103.4804  | 70172542   | Rillenkugellager 6205-NR 25x52x15       | Roulement billes    | Ball bearing      |
| 20  | 100.6123  | AM834001   | Scheibe                                 | Rondelle            | Disc              |
| 21  | 100.8405  | AM2707601  | Lagerhülse                              | Douille             | Sleeve            |
| 22  | 103.2971  | 60171344   | 6kt-Schraube M12x70 8.8 verz DIN931     | Vis hex.            | Hex.hd.screw      |
| 23  | 103.4057  | 64572441   | 6kt-Mutter M12 8 verz DIN985            | Écrou hex.          | Hexagon nut       |
| 24  | 150.0088  |            | Lager                                   | Palier              | Bearing           |
| 25  | 150.0091  |            | Schraube                                | Vis                 | Screw             |
| 26  | 112.3392  |            | Puffer 40x20- M8x15 St/Gi 70+/-5Shore A | Tampon              | Buffer            |
| 28  | 150.0089  |            | Lager                                   | Palier              | Bearing           |
| 31  | 1090967-1 |            | Getriebeöl UTTO Extra 85W Blasol        | Huile d'engrenages  | Gear oil          |
| 34  | 103.4331  | 66771598   | Federring 10 FSt verz DIN128-A          | Rondelle-ressort    | Spring washer     |
| 37  | 1214923-0 |            | Halter kpl.                             | Support cpl.        | Support cpl.      |
| 38  | 1110980-0 | Halter     | Halter                                  | Support             | Support           |
| 98  | 103.5165  | 72471803   | Innenring 45x50x20.5 N264.05            | Bague intérieur     | Inner ring        |
| 99  | 103.5249  | 72772936   | Gerollte Buchse PM_DX 18x20x15          | Douille             | Bush              |



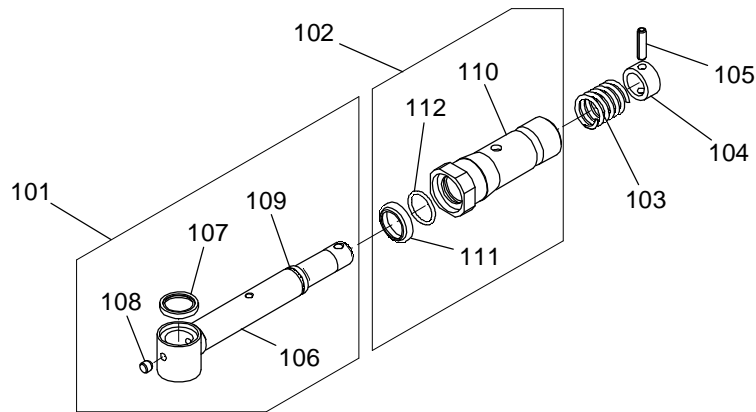
| Pos | No.       | No. (old)  | Bezeichnung                             | Description         | Description       |
|-----|-----------|------------|---|---------------------|-------------------|
| 1   | 150.0088  |            | Lager                                   | Palier              | Bearing           |
| 2   | 150.0089  |            | Lager                                   | Palier              | Bearing           |
| 3   | 150.0091  |            | Schraube                                | Vis                 | Screw             |
| 4   | 150.0101  |            | Halter geschweisst                      | Support             | Support           |
| 5   | 1262357-4 |            | Deckel                                  | Couvercle           | Cover             |
| 7   | 101.0198  | FT4343201  | Schwinger kpl.                          | Oscillateur         | Sway bar          |
| 8   | 101.1835  | FT4701401  | Schwinghebelgehäuse                     | Boîtier             | Housing           |
| 9   | 1178726-6 |            | Schwinghebel                            | Levier oscillant    | Oscillating lever |
| 10  | 111.7799  | FT5407001  | Halter kpl.                             | Halter kpl.         | Halter kpl.       |
| 12  | 103.4804  | 70172542   | Rillenkugellager 6205-NR 25x52x15       | Roulement billes    | Ball bearing      |
| 13  | 103.5101  | 72174000   | Nadelhülse 50x58x20 St N261.31          | Douille à aiguilles | Needle bush       |
| 14  | 103.5499  | 7361539301 | O-Ring 90x3,5 NBR70                     | Joint torique       | O-ring            |
| 15  | 103.5500  | 7361540701 | O-Ring 66x5,3 NBR70                     | Joint torique       | O-ring            |
| 16  | 112.3392  |            | Puffer 40x20- M8x15 St/Gi 70+/-5Shore A | Tampon              | Buffer            |
| 17  | 112.5748  |            | Gleitstein                              | Coulisseau          | Slider            |
| 18  | 104.1531  | 87572388   | Schmiernippel M10x1 St verz DIN71412-A  | Graisseur           | Grease nipple     |
| 19  | 104.1605  | 87775642   | Niveauanzeige 1/2 Zoll                  | Vis de niveau       | Level plug        |
| 20  | 103.3106  | 60371375   | 6kt-Schraube M10x30 8.8 verz DIN933     | Vis hex.            | Hex.hd.screw      |
| 21  | 103.3110  | 60371379   | 6kt-Schraube M10x40 8.8 verz DIN933     | Vis hex.            | Hex.hd.screw      |
| 22  | 103.3093  | 60371362   | 6kt-Schraube M8x20 8.8 verz DIN933      | Vis hex.            | Hex.hd.screw      |
| 23  | 103.4331  | 66771598   | Federring 10 FSt verz DIN128-A          | Rondelle-ressort    | Spring washer     |
| 24  | 103.4366  | 67174731   | Spannscheibe 8 (8,4/18x2) DIN6796       | Rondelle élastique  | Spring washer     |
| 25  | 104.1665  | AM525301   | Distanzscheibe                          | Entretoise          | Spacer            |
| 26  | 103.4364  | 67174585   | Spannscheibe 10 (10,5/23x2,5) DIN6796   | Rondelle élastique  | Spring washer     |
| 27  | 102.0994  | TP2396501  | Unterlagscheibe                         | Rondelle            | Washer            |
| 28  | 103.2971  | 60171344   | 6kt-Schraube M12x70 8.8 verz DIN931     | Vis hex.            | Hex.hd.screw      |
| 29  | 100.6123  | AM834001   | Scheibe                                 | Rondelle            | Disc              |
| 30  | 103.4057  | 64572441   | 6kt-Mutter M12 8 verz DIN985            | Écrou hex.          | Hexagon nut       |
| 31  | 100.8405  | AM2707601  | Lagerhülse                              | Douille             | Sleeve            |
| 32  | 1090967-1 |            | Getriebeöl UTTO Extra 85W Blasol        | Huile d'engrenages  | Gear oil UTTO     |
| 98  | 103.5165  | 72471803   | Innenring 45x50x20.5 N264.05            | Bague intérieur     | Inner ring        |
| 99  | 103.5249  | 72772936   | Gerollte Buchse PM_DX 18x20x15          | Douille             | Bush              |

# Schwinghebelzapfen

1260747-7

# Goujon oscillant

# Swaybar pin



| Pos | No.       | No. (old)  | Bezeichnung                            | Description            | Description     |
|-----|-----------|------------|--|------------------------|-----------------|
| 101 | 1261723-3 |            | Schwinghebelzapfen                     | Goujon oscillant       | Swaybar-pin     |
| 102 | 1261722-4 |            | Hülse kpl.                             | Douille                | Sleeve          |
| 103 | 1261760-7 |            | Druckfeder 20.3/2.3x27                 | Ressort de compression | Pressure spring |
| 104 | 100.8854  | AM4248201  | Ring                                   | Anneau                 | Ring            |
| 105 | 103.4469  | 67971640   | Spannstift 5x20 St DIN1481             | Cheville               | Spring pin      |
| 106 | 1261729-7 |            | Schwinghebelzapfen                     | Goujon oscillant       | Sway bar bolt   |
| 107 | 103.5448  | 73371851   | Dichtring m.Blech-Aussenmantel 16x22x3 | Rondelle-joint         | Sealing ring    |
| 108 | 103.4593  | 68076156   | Zylinderstift 5x6 ISO2338-B            | Goupille cylindrique   | Cyl. pin        |
| 109 | 103.5561  | 7364090401 | O-Ring 14x1,5 NBR70                    | Joint torique          | O-ring          |
| 110 | 1262189-8 |            | Hülse                                  | Douille                | Sleeve          |
| 111 | 1261752-7 |            | Abstreifer 17/24-3/4                   | Racleur                | Stripper        |
| 112 | 103.5569  | 7364154801 | O-Ring 17x2 NBR70                      | Joint torique          | O-ring          |

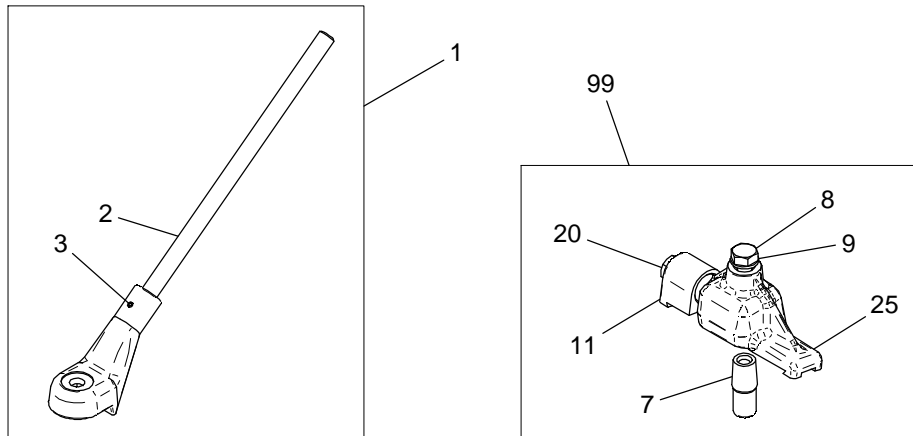


**Halmteiler  
Messerkopf**

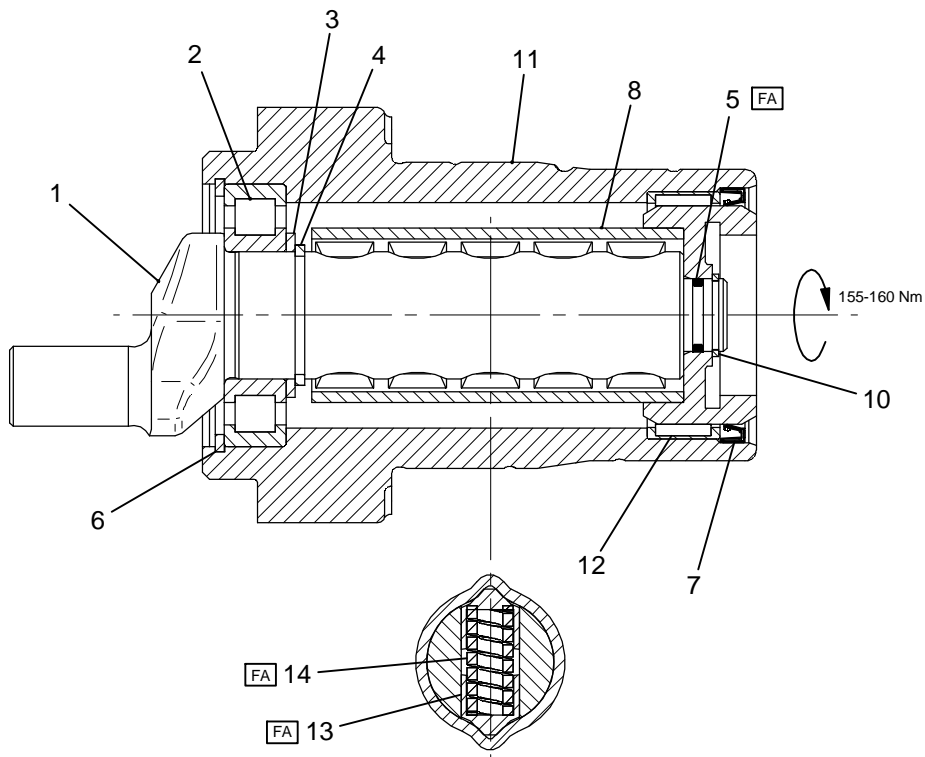
1196185-2 / 104.4887

**Diviseur  
Tête de lame**

**Grass divider  
Sickle head**



| Pos | No.       | No. (old) | Bezeichnung                         | Description           | Description         |
|-----|-----------|-----------|-------------------------------------|-----------------------|---------------------|
| 1   | 1196185-2 |           | Halmteiler kpl.                     | Diviseur cpl.         | Grass divider cpl.  |
| 2   | 101.2488  | FT4880101 | Stab                                | Barre                 | Rod                 |
| 3   | 103.4508  | 67973369  | Spannstift 4x22 St DIN1481          | Cheville              | Spring dowel        |
| 7   | 100.5116  | AM49801   | Konuszapfen                         | Bouchon               | Plug                |
| 8   | 103.3101  | 60371370  | 6kt-Schraube M10x20 8.8 verz DIN933 | Vis hex.              | Hex.hd.screw        |
| 9   | 103.4228  | 66271548  | Unterlagscheibe 10,5/20x2 St verz   | Rondelle              | Washer              |
| 11  | 100.5624  | AM524501  | Spannklaue                          | Griffe de serrage     | Tension claw        |
| 20  | 103.3106  | 60371375  | 6kt-Schraube M10x30 8.8 verz DIN933 | Vis hex.              | Hex.hd.screw        |
| 25  | 100.7111  | AM2106401 | Messerkopfgehäuse                   | Corps de tête de lame | Sickle head housing |
| 99  | 104.4887  |           | Messerkopf kpl.                     | Tête de lame cpl.     | Sickle head cpl.    |



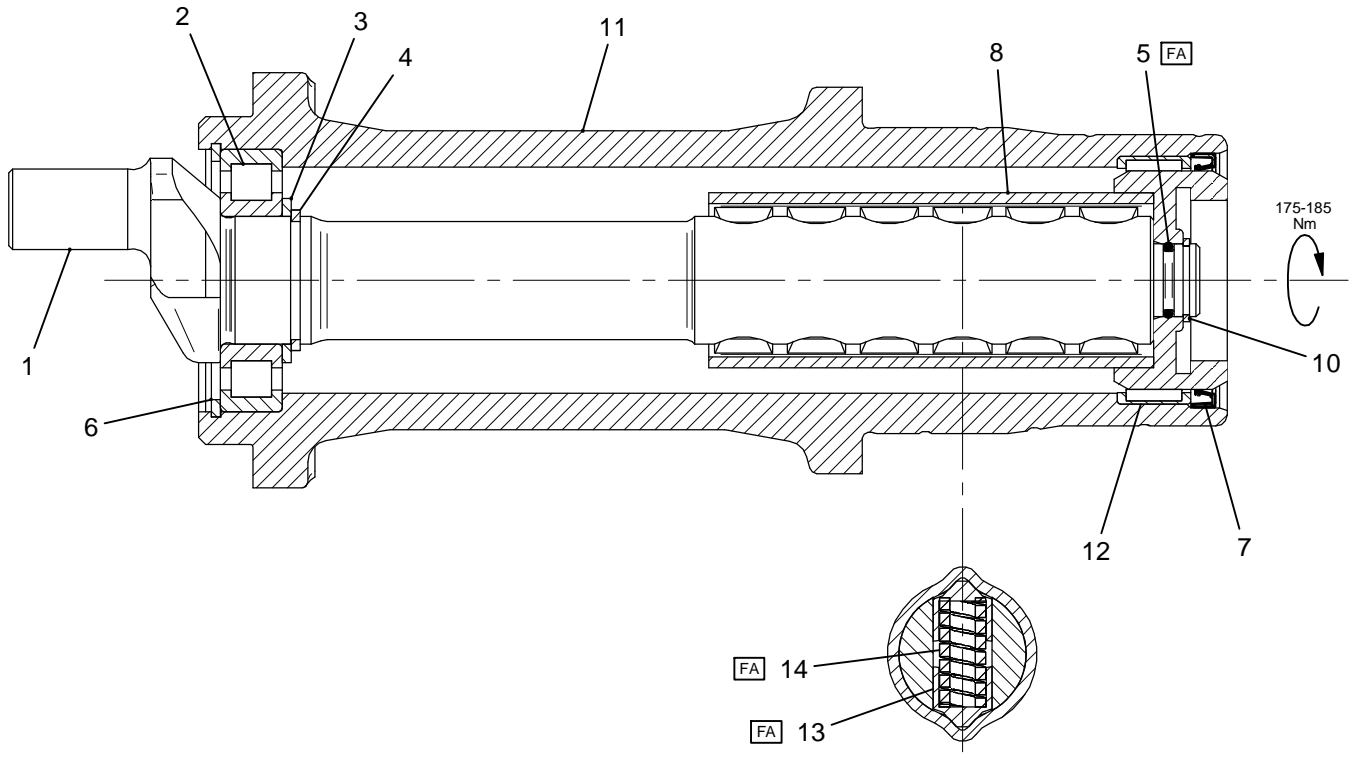
| Pos | No.       | No. (old) | Bezeichnung                           | Description            | Description         |
|-----|-----------|-----------|---------------------------------------|------------------------|---------------------|
| 1   | 1180438-1 |           | Kurbelwelle                           | Vilebrequin            | Crank shaft         |
| 2   | 103.5052  | 71672541  | Zyl.rollenlager NUP207-E 35x72x17     | Cyl. roulement à roul. | Cyl. roller bearing |
| 3   | 103.5899  | 75272607  | Stützscheibe 35x45x2,5 St DIN988-S    | Disque d'appui         | Supporting washer   |
| 4   | 103.5799  | 74674115  | Sicherungsring 35x2,5 FSt DIN471      | Circlips               | Retaining ring      |
| 5   | 1251315-8 |           | O-Ring 16x2,5 FKM75 Viton gn          | Joint torique          | O-ring              |
| 6   | 103.5824  | 74771897  | Sicherungsring 72x2,5 FSt DIN472      | Circlips               | Retaining ring      |
| 7   | 1180398-9 |           | Wellendichtring 60x70x7 NBR DIN3760-A | Joint d'arbre          | Oil seal            |
| 8   | 1251323-8 |           | Kupplungsnahe                         | Moyeu d'accouplement   | Clutch boss         |
| 10  | 103.5785  | 74673151  | Sicherungsring 20x1,75 FSt DIN471     | Circlips               | Retaining ring      |
| 11  | 1180472-8 |           | Stutzen                               | Tubulure               | Muff                |
| 12  | 103.5083  | 72171468  | Nadelhülse 60x68x20 St N261.21        | Douille à aiguilles    | Needle bush         |
| 13  | 1180404-1 |           | Nocken                                | Came                   | Cam                 |
| 14  | 1194648-8 |           | Druckfeder Ø 12.5x30                  | Ressort de compression | Pressure spring     |

# Kurbelantrieb

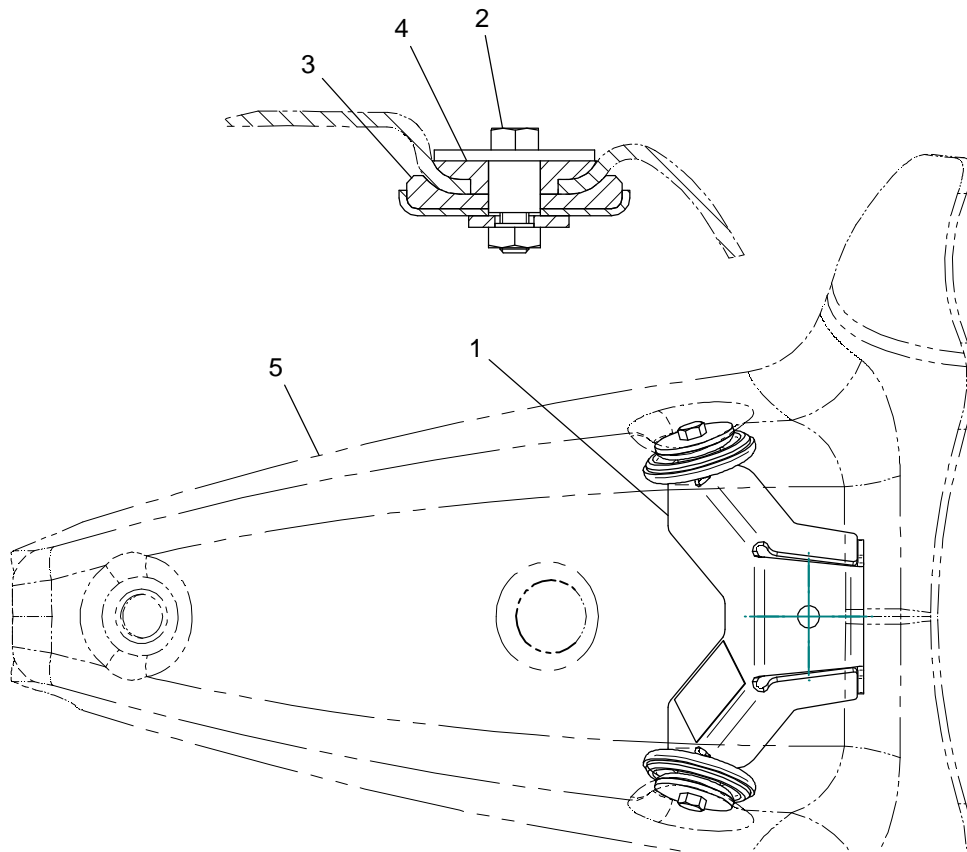
1180477-3 (CC36, CC56, CC66)

# Transmission

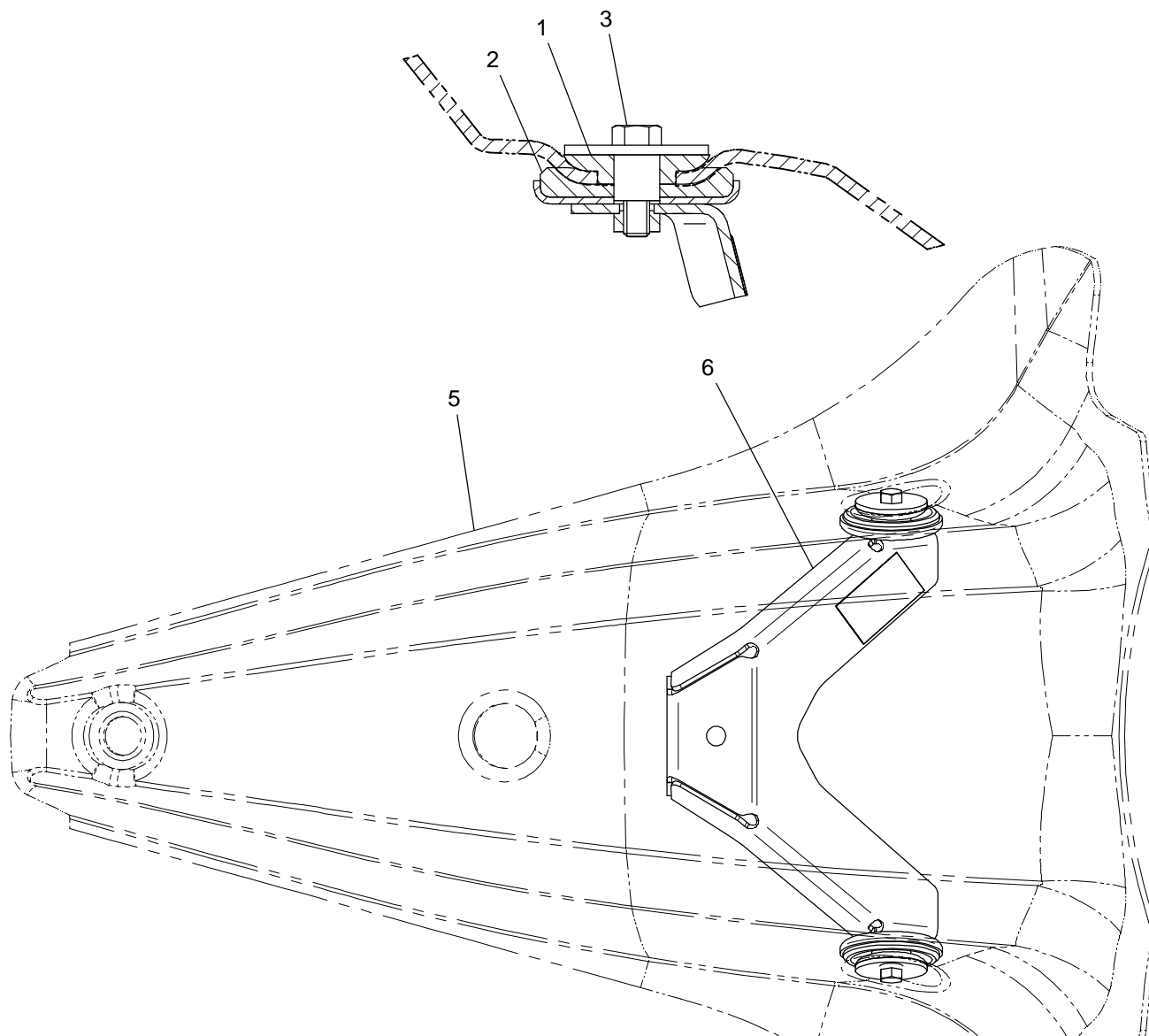
# Transmission



| Pos | No.       | No. (old) | Bezeichnung                           | Description            | Description         |
|-----|-----------|-----------|---------------------------------------|------------------------|---------------------|
| 1   | 1180439-0 |           | Kurbelwelle                           | Vilebrequin            | Crank shaft         |
| 2   | 103.5052  | 71672541  | Zyl.rollenlager NUP207-E 35x72x17     | Cyl. roulement à roul. | Cyl. roller bearing |
| 3   | 103.5899  | 75272607  | Stützscheibe 35x45x2,5 St DIN988-S    | Disque d'appui         | Supporting washer   |
| 4   | 103.5799  | 74674115  | Sicherungsring 35x2,5 FSt DIN471      | Circlips               | Retaining ring      |
| 5   | 1251315-8 |           | O-Ring 16x2,5 FKM75 Viton gn          | Joint torique          | O-ring              |
| 6   | 103.5824  | 74771897  | Sicherungsring 72x2,5 FSt DIN472      | Circlips               | Retaining ring      |
| 7   | 1180398-9 |           | Wellendichtring 60x70x7 NBR DIN3760-A | Joint d'arbre          | Oil seal            |
| 8   | 1251329-2 |           | Kupplungsnabe                         | Moyeu d'accouplement   | Clutch boss         |
| 10  | 103.5785  | 74673151  | Sicherungsring 20x1,75 FSt DIN471     | Circlips               | Retaining ring      |
| 11  | 1180473-7 |           | Stutzen                               | Tubulure               | Muff                |
| 12  | 103.5083  | 72171468  | Nadelhülse 60x68x20 St N261.21        | Douille à aiguilles    | Needle bush         |
| 13  | 1180404-1 |           | Nocken                                | Came                   | Cam                 |
| 14  | 1194648-8 |           | Druckfeder Ø12.5x30                   | Ressort de compression | Pressure spring     |



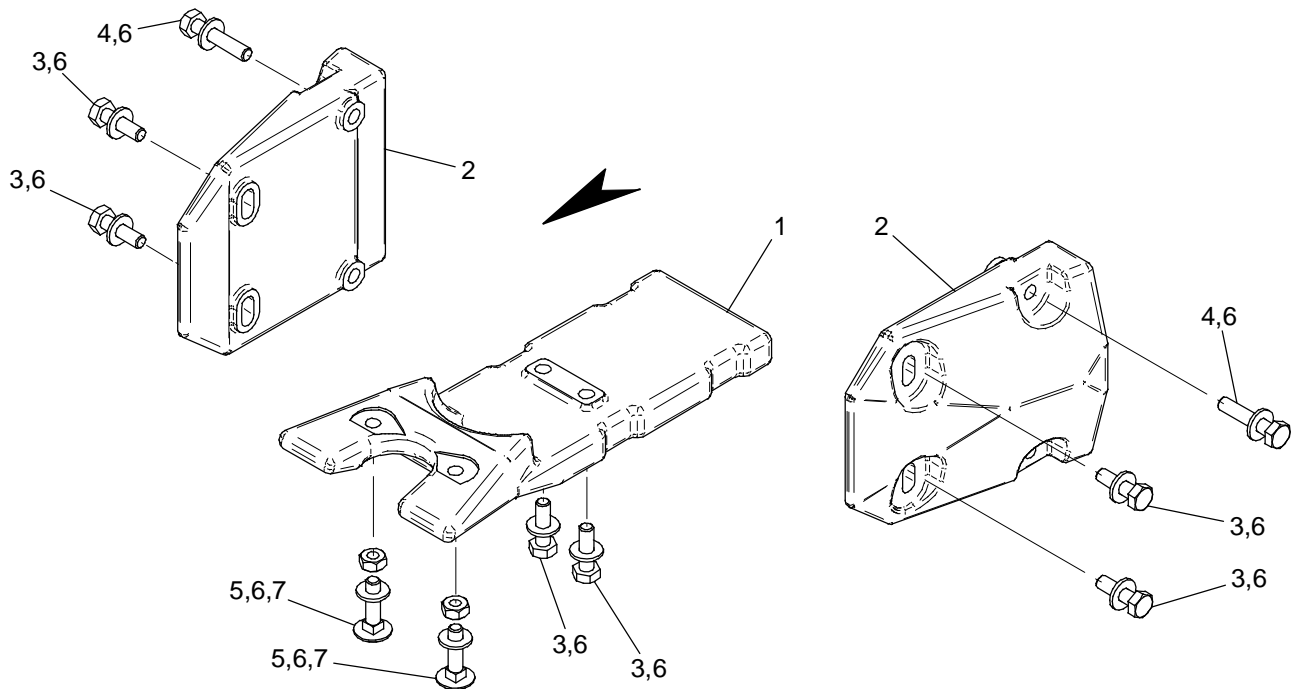
| Pos | No.       | No. (old) | Bezeichnung  | Description    | Description    |
|-----|-----------|-----------|--------------|----------------|----------------|
| 1   | 1110984-6 |           | Halter kpl.  | Support        | Support        |
| 2   | 150.0091  |           | Schraube     | Vis            | Screw          |
| 3   | 150.0089  |           | Lager        | Palier         | Bearing        |
| 4   | 150.0088  |           | Lager        | Palier         | Bearing        |
| 5   | 1110968-6 |           | Schwingblech | Tôle oscillant | Sway bar cover |



| Pos | No.       | No. (old) | Bezeichnung        | Description     | Description    |
|-----|-----------|-----------|--------------------|-----------------|----------------|
| 1   | 150.0088  |           | Lager              | Palier          | Bearing        |
| 2   | 150.0089  |           | Lager              | Palier          | Bearing        |
| 3   | 150.0091  |           | Schraube           | Vis             | Screw          |
| 5   | 1176824-1 |           | Schwingblech       | Tôle oscillante | Sway bar cover |
| 6   | 111.6024  | FT5407401 | Halter geschweisst | Support         | Support        |

**Zusatzgewicht**

100.1390 / 100.1391

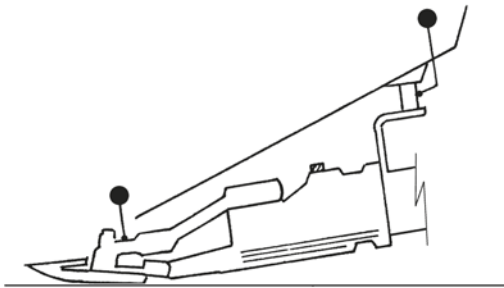
**Poids supplémentaire****Ballast weight**

| Pos | No.      | No. (old) | Bezeichnung                           | Description              | Description            |
|-----|----------|-----------|---------------------------------------|--------------------------|------------------------|
| 1   | 101.1931 | FT4727101 | Zusatzgewicht unten                   | Poids supplém. inférieur | Ballast weight below   |
| 2   | 101.1932 | FT4727201 | Zusatzgewicht seitlich                | Poids supplém. latéral   | Ballast weight lateral |
| 3   | 103.3108 | 60371377  | 6kt-Schraube M10x35 8.8 verz DIN933   | Vis hex.                 | Hex.hd.screw           |
| 4   | 103.2959 | 18122006  | 6kt-Schraube M10x50 8.8 verz DIN931   | Vis hex.                 | Hex.hd.screw           |
| 5   | 103.3551 | 61471459  | Flachrundschaube M10x35 4.6 DIN603-MU | Vis tête bombée          | Flatround bolt         |
| 6   | 103.4364 | 67174585  | Spannscheibe 10 (10,5/23x2,5) DIN6796 | Rondelle élastique       | Spring washer          |
| 7   | 103.3997 | 64171496  | 6kt-Mutter M10 8 verz DIN934          | Ecrou 6-pans             | Hex. nut               |

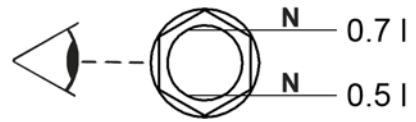
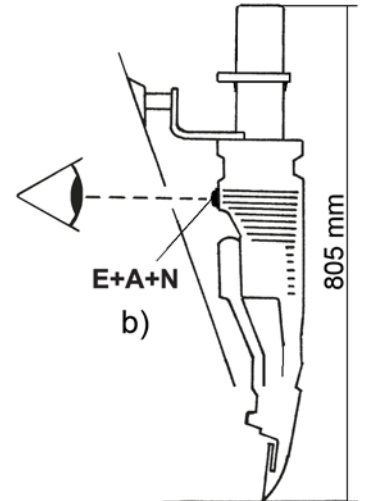
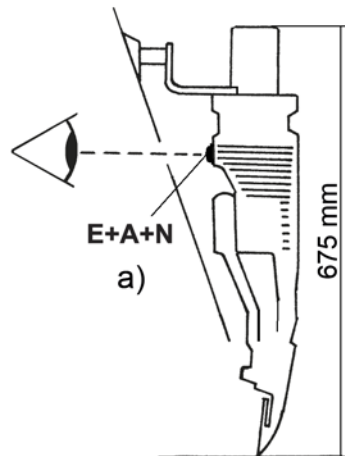
# Wartung

# Maniement

# Maintenance



Fett  
Graisse  
Grasso  
Grease



|   |               |                      |               |
|---|---------------|----------------------|---------------|
| E | Einfüllstelle | Point de remplissage | Filling point |
| A | Ablassstelle  | Point de vidange     | Drain point   |
| N | Niveau        | Niveau               | Level         |

|    |       |                                |  |
|----|-------|--------------------------------|--|
| a) | 0.5 l | API-GL4; MIL-L-2105            | <ul style="list-style-type: none"> <li>• Motorex Farmer Poly 608</li> <li>• Blasol Utto Extra 85W</li> </ul> |
| b) | 0.7 l | SAE 90; SAE 85W-90; SAE 80W-90 |  |

Aebi & Co. AG Maschinenfabrik  
CH-3401 Burgdorf  
Switzerland

<http://www.aebi-schmidt.com>  
[aebi@aebi-schmidt.com](mailto:aebi@aebi-schmidt.com)

A brand of **ASH**